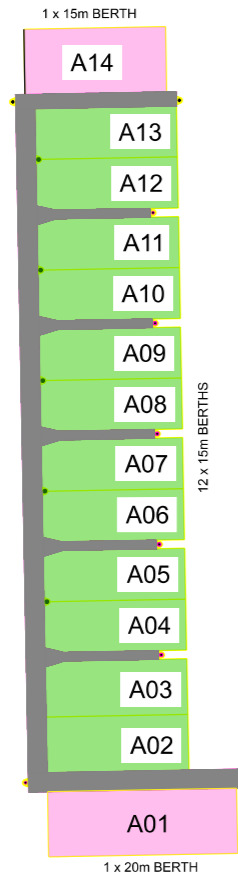


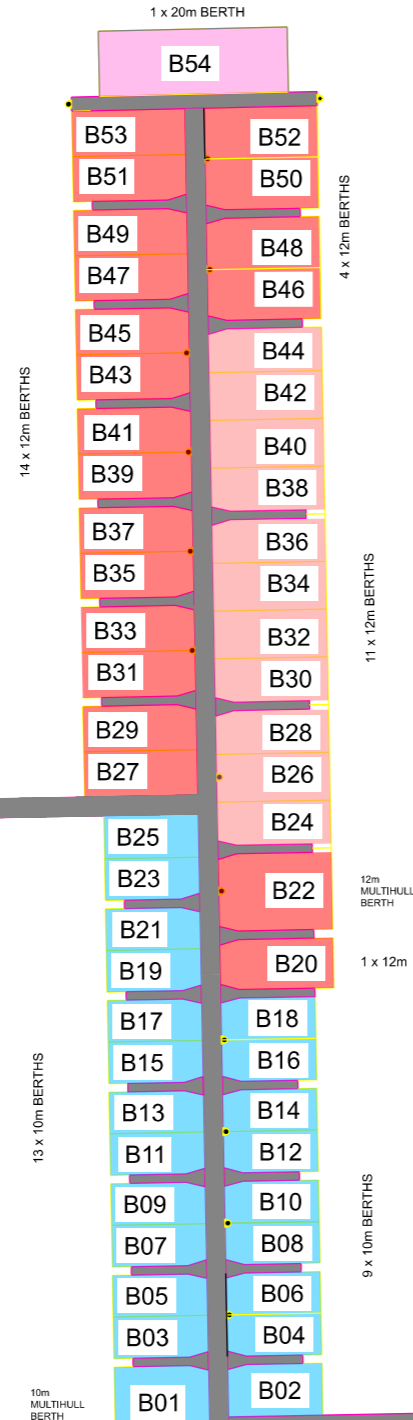
KANGAROO BAY



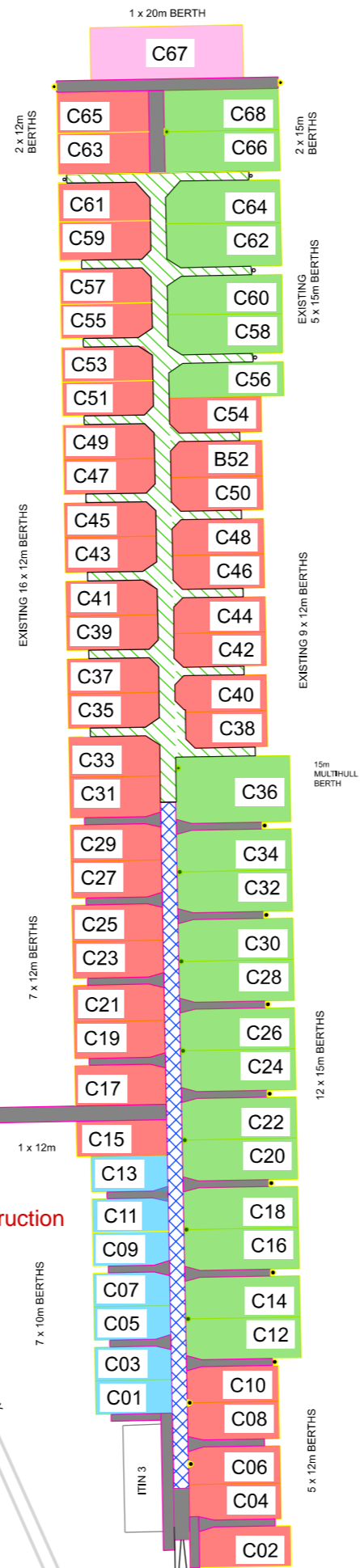
ARM A



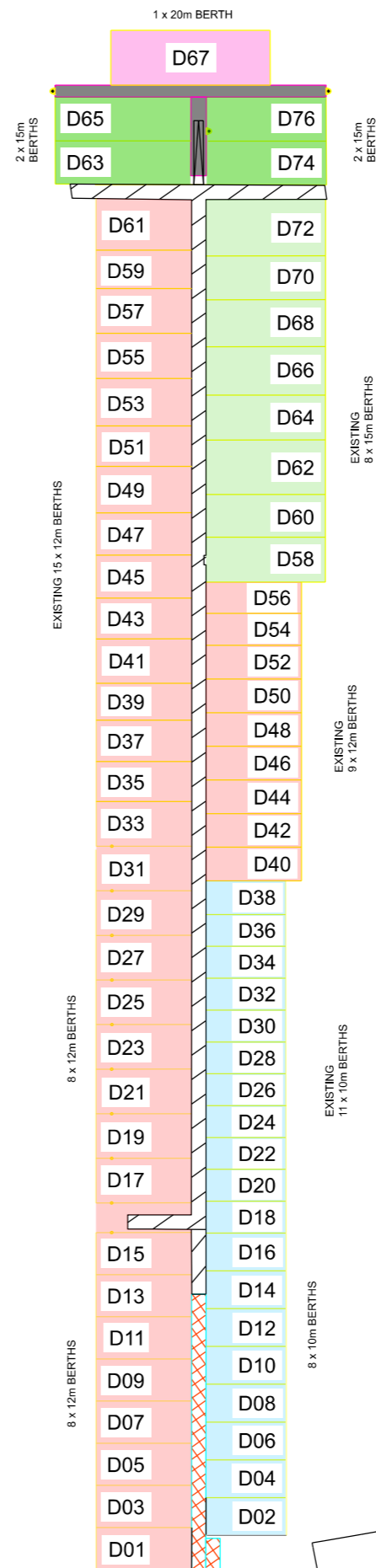
ARM B



ARM C



ARM D



BERTH SIZES			
KEY	LENGTH	NUMBER	WIDTH (UNLESS DIMENSIONED ON PLAN)
1x Available	10m (33ft) FIXED	19	VARIES
1x Available	10m (33ft) FLOATING	29	4.9m, 16ft (SINGLE) 4.4m, 14.4ft (DOUBLE)
3x Available	12m (39ft) FIXED	40	VARIES
1x Available	12m (39ft) FLOATING WITH PILES	11	5.3m, 17.4ft (SINGLE) 4.8m, 15.7ft (DOUBLE)
3x Available	12m (39ft) FLOATING	60	5.3m, 17.4ft (SINGLE) 4.8m, 15.7ft (DOUBLE) EXISTING VARIES
2x Available	15m (49ft) FIXED	8	VARIES
2x Available	15m (49ft) FLOATING	37	5.9m, 19.4ft (SINGLE) 5.4m, 17.7ft (DOUBLE) EXISTING VARIES
1x Available	20m (66ft) FLOATING	4	6.9m, 22.6ft (SINGLE)
ITINERANT (ITIN)	VARIES	3	VARIES
TOTAL		211	

LEGEND

- EXISTING FIXED MARINA TO REMAIN
- EXISTING FLOATING MARINA TO REMAIN
- EXISTING FLOATING MARINA TO BE RE-USED IN NEW CONFIGURATION
- NEW FIXED MARINA
- NEW FLOATING MARINA

Banjo's Shoreline Crown Series Bellerive Regatta 2024

If you require a marina berth for all 3 days of the regatta please contact BYC on 6244 1353. Berths will be allocated on a "first come, first served" basis.

If you are looking for a spot to tie up to for a few hours after racing, please ring 03 6169 2590 and you will be redirected to our "Marina Allocation Enquiries" co-ordinator.

Underwater obstruction

NEW FUEL PONTOON

SLIPWAY

NEW ALUMINIUM GANGWAY & NEW SECURITY GATE

RE-USED SECURITY GATE

BOAT RAMP TO REMAIN