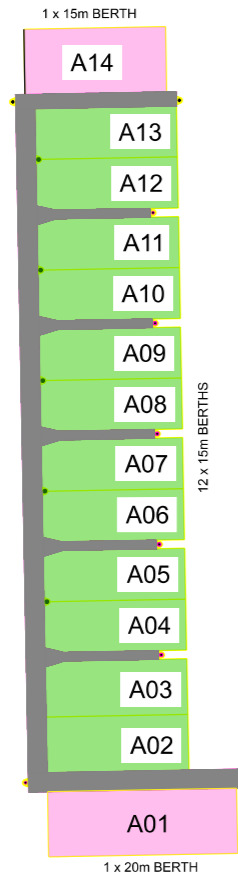


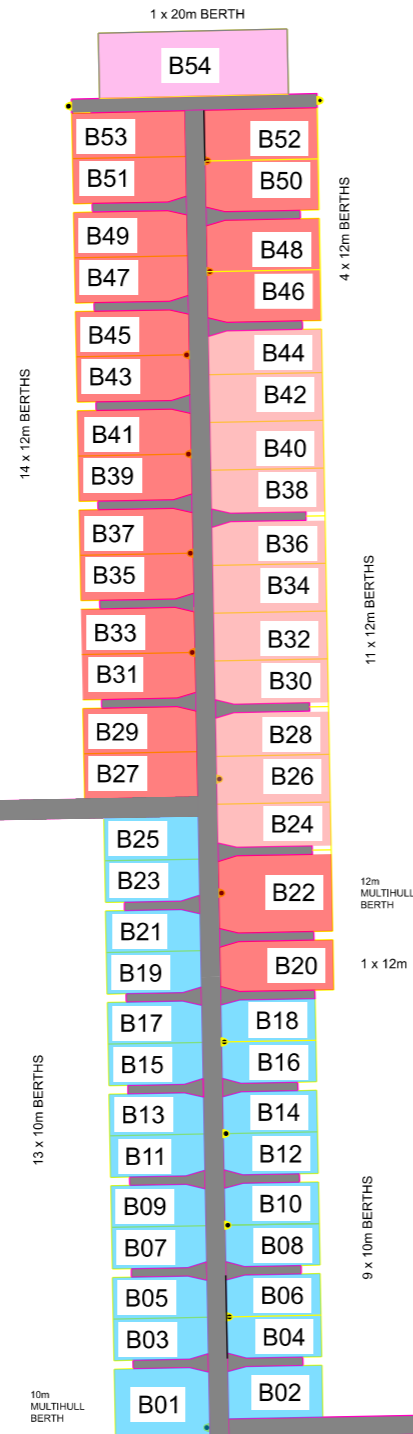
KANGAROO BAY



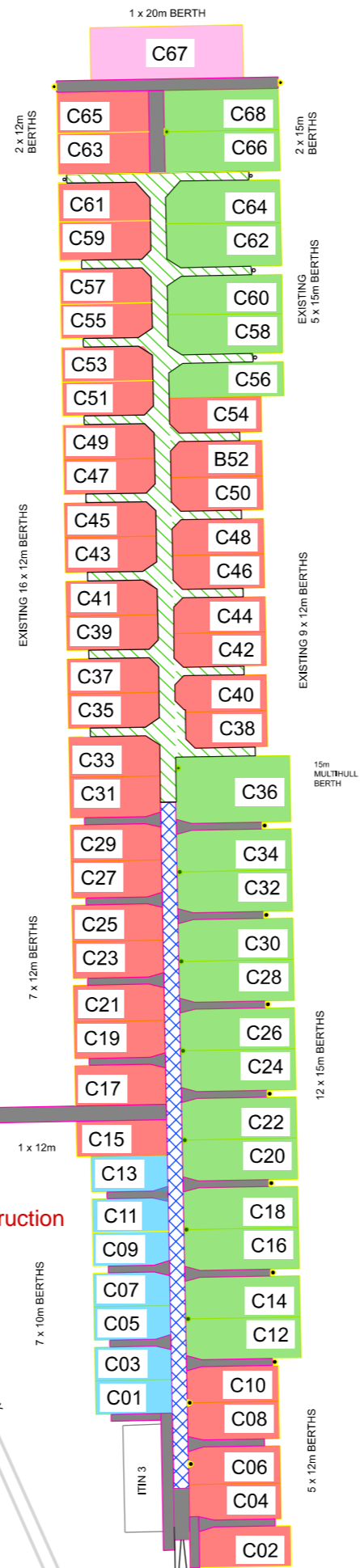
ARM A



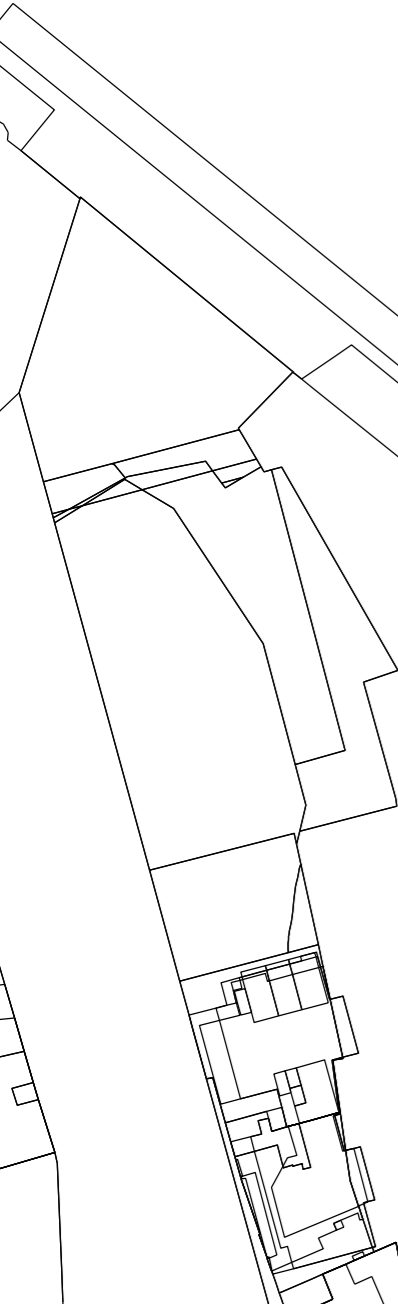
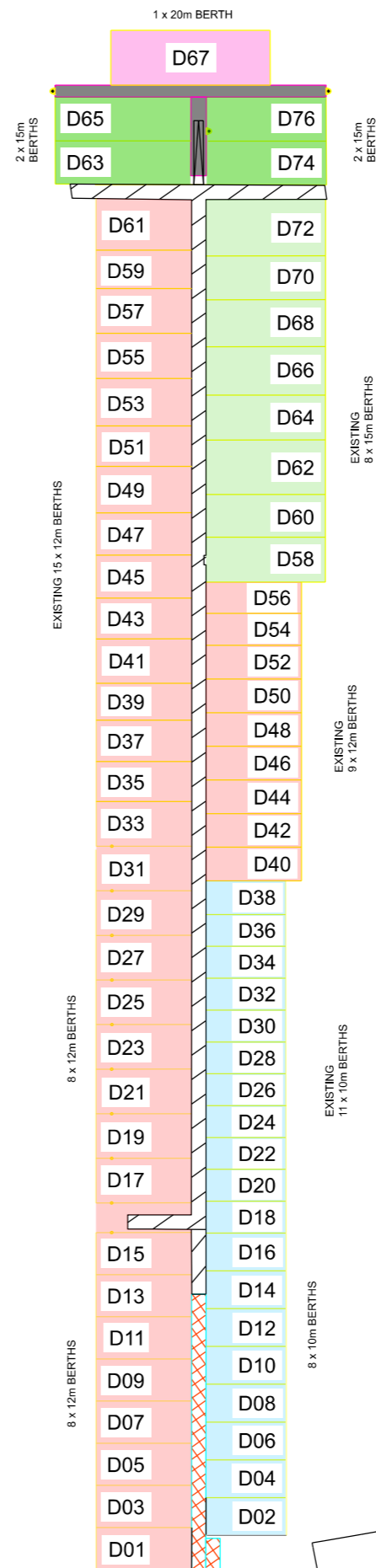
ARM B



ARM C



ARM D



| BERTH SIZES      |                                |            |   |
|------------------|--------------------------------|------------|---|
| KEY              | LENGTH                         | NUMBER     | WIDTH (UNLESS DIMENSIONED ON PLAN)                                |
| 1x Available     | 10m (33ft) FIXED               | 19         | VARIES  |
| 1x Available     | 10m (33ft) FLOATING            | 29         | 4.9m, 16ft (SINGLE)<br>4.4m, 14.4ft (DOUBLE)                      |
| 3x Available     | 12m (39ft) FIXED               | 40         | VARIES  |
| 1x Available     | 12m (39ft) FLOATING WITH PILES | 11         | 5.3m, 17.4ft (SINGLE)<br>4.8m, 15.7ft (DOUBLE)                    |
| 3x Available     | 12m (39ft) FLOATING            | 60         | 5.3m, 17.4ft (SINGLE)<br>4.8m, 15.7ft (DOUBLE)<br>EXISTING VARIES |
| 2x Available     | 15m (49ft) FIXED               | 8          | VARIES  |
| 2x Available     | 15m (49ft) FLOATING            | 37         | 5.9m, 19.4ft (SINGLE)<br>5.4m, 17.7ft (DOUBLE)<br>EXISTING VARIES |
| 1x Available     | 20m (66ft) FLOATING            | 4          | 6.9m, 22.6ft (SINGLE)   |
| ITINERANT (ITIN) | VARIES                         | 3          | VARIES  |
| <b>TOTAL</b>     |                                | <b>211</b> |   |

LEGEND

- EXISTING FIXED MARINA TO REMAIN
- EXISTING FLOATING MARINA TO REMAIN
- EXISTING FLOATING MARINA TO BE RE-USED IN NEW CONFIGURATION
- NEW FIXED MARINA
- NEW FLOATING MARINA